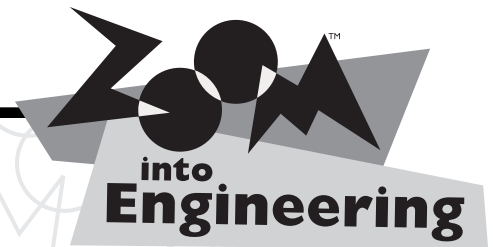


Note: follow these directions or make your own design!!

Fill out form fields (next page)



Hoop Glider

What You Need

- paper
- ruler
- scissors
- pencil
- nonbendable, plastic drinking straw
- tape



Engineering Scoop

If you throw a **plain straw**, it doesn't go very far. But when you add **paper hoops**, the straw glides through the air. That's because the hoops act like **wings**. Things that **fly**—like insects, birds, and airplanes—all have wings. But wings are not all the same **shape** and **size**. Different wings can be better for different kinds of flight. For example, an eagle has **long, wide wings** that help it glide. An airplane has **wings with small flaps** that move up and down to turn the plane. Try **changing** the wings on your glider. How does it **fly** with different wings?

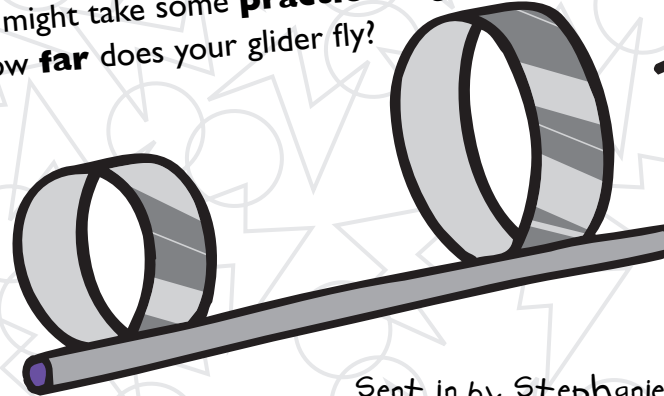
1 Cut two strips of paper.
Make one strip **1 inch wide and 5 inches long**.
Make the second strip **1 inch wide and 10 inches long**.

2 Curl each paper strip into a hoop. **Tape** the ends together. Now you have a big hoop and a small hoop.

3 Tape the small hoop to one end of the straw.

4 Tape the big hoop on the other end of the straw.
Make sure the big hoop **lines up** with the small hoop.

5 Hold your Hoop Glider in the middle of the straw, with the small hoop in front. **Throw** it gently like a spear. It might take some **practice** to get the hang of it. How **far** does your glider fly?



Sent in by Stephanie C. of Milton, NH



Change your glider so that it flies the longest possible distance. What happens if you make the **straw smaller**? What happens if you change the **size of the hoops**? Or, what happens if you add a **third hoop**? Choose one thing to change (that's the **variable**), and make a **prediction**. Then **test it** and **send** your results to ZOOM.



ZOOM INTO ENGINEERING is a partnership of WGBH and National Engineers Week. National Engineers Week 2002 chairs: DuPont and the American Society of Civil Engineers. ZOOM is produced by WGBH Boston. Funding for ZOOM is provided by the National Science Foundation, the Corporation for Public Broadcasting, the Arthur Vining Davis Foundations, and public television viewers. Any opinions, findings, and conclusions or recommendations expressed in this material are those of the author(s) and do not necessarily reflect the views of the National Science Foundation.

TM / © 2002 WGBH Educational Foundation

pbskids.org/zoom



KIDS

